

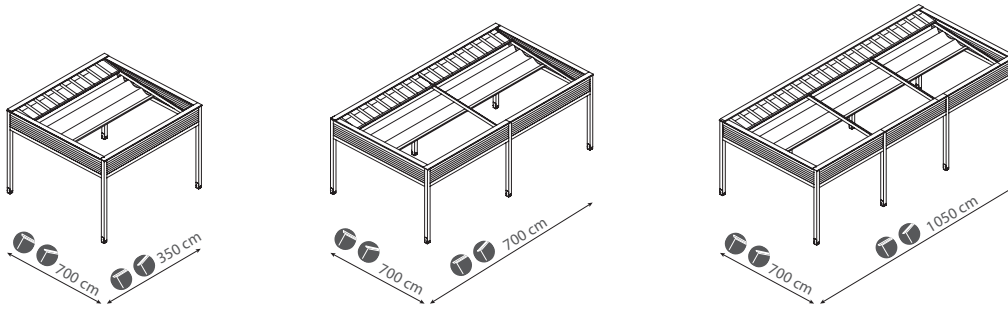
Progetto Ombra Milano

100



Progetto Ombra
Milano

100



COLORI | COLORS | COLORIS | FARBEN | COLORES

Struttura | Structure
Structure | Struktur | Estructura



Tettuccio di protezione | Protection cover
Auvent de protection | Markisenschutzdach
Tejadillos protección



Gronda | Gutter
Gouttière | Regenrinne | Canalòn



Guide | Runners
Glissières | Schienen | Guías



Tubi | Tubes
Tubes | Rohre | Tubos



GUIDE RUNNERS GLISSIÈRES SCHIENEN GUÍAS	DIMENSIONI MASSIME MAXIMUM DIMENSIONS DIMENSIONS MAXIMALES MAXIMALE ABMESSUNGEN DIMENSIONES MÁXIMAS (↔ x ↘ cm)					class EN 13561		
						Beaufort	Beaufort	
	2	350 x 700	●	●	●	Opt	3	6
	3	700 x 700	—	●	●	Opt	3	6
	4	1050 x 700	—	●	●	Opt	3	6
	2	350 x 700	●	●	●	Opt	3	6
	3	700 x 700	—	●	●	Opt	3	6
	4	1050 x 700	—	●	●	Opt	3	6

GUIDE RUNNERS GLISSIÈRES SCHIENEN GUÍAS	GRONDA GUTTER GOUTTIÈRE DACHRINNE CANALÒN			TELO CANVAS TOILE TUCH LONA				IMPACT® TESSUTO CANVAS TISSU GEWEBE TEJIDO						
	mobile retractable mobile beweglich móvil	frontale frontale frontal	laterale side latérale Seitliche lateral	lasco slack à vague durchhängend floja	teso con distanziali taught with spacers tendu avec entretoises Angespannt mit Distanzstücken tensada con espaciadores	trapezoidale trapezoidale Trapeztuch trapezoidal	teso taught tendue gespannt tensada	Eclissi	LAC 650 SL	Precontraint 502	Soltis 86	Stam 6002	Sunworker waterproof	
	2	—	—	●	●	Opt	Opt	—	●	●	Opt	—	Opt	Opt
	3	—	—	●	●	Opt	Opt	—	●	●	Opt	—	Opt	Opt
	4	—	—	●	●	Opt	Opt	—	●	●	Opt	—	Opt	Opt
	2	—	●	—	—	—	—	●	●	Opt	—	Opt	Opt	
	3	—	●	—	—	—	—	●	●	Opt	—	Opt	Opt	
	4	—	●	—	—	—	—	●	●	Opt	—	Opt	Opt	

Opt = Optional ↔ x ↘ = Larghezza x Sporgenza | Width x Projection | Largeur x Avancée | Breite x Ausladung | Ancho x Salida

Progetto Ombra Milano

Piazza Vetra, 21 - 20122
Milano, Italy

Tel 02 58315644
www.progettoombra.it

Progetto Ombra
Milano